

Subminiature Fuse, 6.4 mm, Quick-Acting F, Telecom



UL 248-14 · 125VAC · 125VDC · Quick-Acting F

**Description**

- Directly solderable on printed circuit boards

Standards

- UL 248-14
- CSA C22.2 no. 248.14
- Telcordia GR-1089
- UL 60950 / IEC 60950
- ITU-T K.20 and K.21
- TIA-968-A

Approvals

- UL File Number: E41599


Applications

- xDSL and ADSL linecards and modems

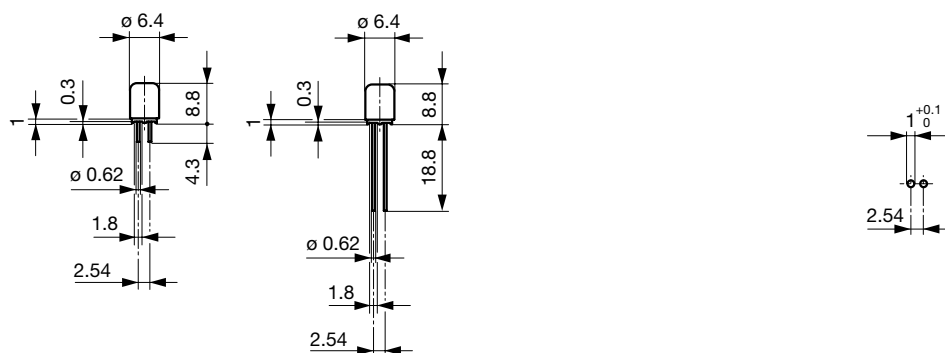
References[General Product Information](#)

Time-Current Curves see last page

Corresponding Fuseholder [FME](#); [FMR](#); [FMS \(125V\)](#)[Packaging Details](#)**Weblinks**
[Approvals](#), [RoHS](#), [CHINA-RoHS](#), [e-Store](#), [SCHURTER-Stock-Check](#),
[Distributor-Stock-Check](#)
Technical Data

| | |
|------------------------------|---|
| Rated Voltage | 125VAC, 125VDC |
| Rated Current | 0.25 - 3.15A |
| Breaking Capacity | 300A |
| Characteristic | Quick-Acting F |
| Mounting | PCB,THT |
| Admissible Ambient Air Temp. | -25 °C to 85 °C |
| Climatic Category | 25/085/21 acc. to IEC 60068-1 |
| Material: Housing | Thermoplastic, UL 94V-0 |
| Material: Terminals | Tin-Plated Copper |
| Unit Weight | 0.34 g |
| Storage Conditions | 0 °C to 60 °C, max. 70% r.h. |
| Product Marking |  Type, Current Rating, Voltage Rating, Characteristic, Approvals |

| | |
|------------------------------|---|
| Soldering Methods | Wave, Iron |
| Solderability | 235 °C / 2 sec acc. to IEC 60068-2-20, Test Ta, method 1 |
| Resistance to Soldering Heat | 260 °C / 5 sec acc. to IEC 60068-2-20, Test Tb, method 1A |
| Current Carrying Capacity | acc. to EIA/IS-722, Test 4.3.3 |
| Life Test | MIL-STD-202, Method 108A (1000h @ 0.42*ln @ 70°C) |
| Terminal Strength | MIL-STD-202, Method 211A (Deflection of board 1 mm for 1 minute) |
| Case Resistance | acc. to EIA/IS-722, Test 4.7 >100 MΩ (between leads and body) |
| Mechanical Shock | MIL-STD-202, Method 213B (Shock 50gn, half sine wave, 11 ms) |
| Vibration, High Frequency | MIL-STD-202, Method 204D (Shock 20 gn, 20 min, 10-2 kHz, 12 cyc.) |
| Resistance to Solvents | MIL-STD-202, Method 215A |

DimensionsLength  6.4 mm

Drilling Diagram

Pre-Arcing Time

| Rated Current In | 1.5 x In max. | 2.0 x In max. | 2.75 x In max. | 4.0 x In max. | 10.0 x In max. |
|------------------|---------------|---------------|----------------|---------------|----------------|
| 0.25 A - 3.15 A | 10 min | 5 s | 300 ms | 30 ms | 4 ms |

Variants

S = Short Terminals
L = Long Terminals
T = Taped and Reeled

[Distributor-Stock-Check](#) | [SCHURTER-Stock-Check](#) | [e-Store](#)

| Rated Current [A] | Rated Voltage [VAC] | Rated Voltage [VDC] | Voltage Drop 1.0 In typ. [mV] | Power Dissipation 1.0 In typ. [mW] | Melting It 10.0 Intyp. [A²s] | GR-1089-CORE [A] | UL60950 | ITU - Lightning Surge [A] | ITU - Power Induc- | ITU - Power Contact [A] | S | L | T | Order Number |
|-------------------|---------------------|---------------------|-------------------------------|------------------------------------|------------------------------|------------------|---------|---------------------------|--------------------|-------------------------|---|---|---|--------------|
| 0.25 | 125 | 125 | 620 | 100 | 0.0055 | < 1.5 | ● | 4.5 | ● | 300.0 | ● | | | 2030.0013 |
| 0.315 | 125 | 125 | 680 | 200 | 0.025 | < 1.5 | ● | 5.6 | ● | 300.0 | ● | | | 2030.0014 |
| 0.4 | 125 | 125 | 180 | 100 | 0.013 | 1.6 | ● | 5.9 | ● | 300.0 | ● | | | 2030.0015 |
| 0.5 | 125 | 125 | 180 | 100 | 0.02 | 2.4 | ● | 6.4 | ● | 300.0 | ● | | | 2030.0016 |
| 0.63 | 125 | 125 | 180 | 100 | 0.045 | 2.7 | ● | 7.2 | ● | 300.0 | ● | | | 2030.0017 |
| 0.71 | 125 | 125 | 140 | 100 | 0.045 | 2.9 | ● | 7.8 | ● | 300.0 | ● | | | 2030.0018 |
| 0.75 | 125 | 125 | 170 | 100 | 0.02 | 3.0 | ● | 8.5 | ● | 300.0 | ● | | | 2030.0019 |
| 0.8 | 125 | 125 | 150 | 100 | 0.04 | 5.0 | ● | 11 | ● | 300.0 | ● | | | 2030.0020 |
| 1 | 125 | 125 | 150 | 100 | 0.07 | 6.0 | ● | 16 | ● | 300.0 | ● | | | 2030.0021 |
| 1.25 | 125 | 125 | 150 | 200 | 0.12 | 9.3 | ● | 21 | ● | 300.0 | ● | | | 2030.0022 |
| 1.6 | 125 | 125 | 150 | 200 | 0.29 | > 14.0 | ● | 35 | ● | 300.0 | ● | | | 2030.0023 |
| 2 | 125 | 125 | 130 | 200 | 0.43 | > 14.0 | ● | 38 | ● | 300.0 | ● | | | 2030.0024 |
| 2.5 | 125 | 125 | 120 | 300 | 0.6 | > 14.0 | ● | 57 | ● | 300.0 | ● | | | 2030.0025 |
| 3.15 | 125 | 125 | 120 | 400 | 1.11 | > 14.0 | ● | 65 | ● | 300.0 | ● | | | 2030.0026 |
| 0.25 | 125 | 125 | 620 | 100 | 0.0055 | < 1.5 | ● | 4.5 | ● | 300.0 | | ● | | 2030.0243 |
| 0.315 | 125 | 125 | 680 | 200 | 0.025 | < 1.5 | ● | 5.6 | ● | 300.0 | | ● | | 2030.0244 |
| 0.4 | 125 | 125 | 180 | 100 | 0.013 | 1.6 | ● | 5.9 | ● | 300.0 | | ● | | 2030.0245 |
| 0.5 | 125 | 125 | 180 | 100 | 0.02 | 2.4 | ● | 6.4 | ● | 300.0 | | ● | | 2030.0246 |
| 0.63 | 125 | 125 | 180 | 100 | 0.045 | 2.7 | ● | 7.2 | ● | 300.0 | | ● | | 2030.0247 |
| 0.71 | 125 | 125 | 140 | 100 | 0.045 | 2.9 | ● | 7.8 | ● | 300.0 | | ● | | 2030.0248 |
| 0.75 | 125 | 125 | 170 | 100 | 0.02 | 3.0 | ● | 8.5 | ● | 300.0 | | ● | | 2030.0249 |
| 0.8 | 125 | 125 | 150 | 100 | 0.04 | 5.0 | ● | 11 | ● | 300.0 | | ● | | 2030.0250 |
| 1 | 125 | 125 | 150 | 100 | 0.07 | 6.0 | ● | 16 | ● | 300.0 | | ● | | 2030.0251 |
| 1.25 | 125 | 125 | 150 | 200 | 0.12 | 9.3 | ● | 21 | ● | 300.0 | | ● | | 2030.0252 |
| 1.6 | 125 | 125 | 150 | 200 | 0.29 | > 14.0 | ● | 35 | ● | 300.0 | | ● | | 2030.0253 |
| 2 | 125 | 125 | 130 | 200 | 0.43 | > 14.0 | ● | 38 | ● | 300.0 | | ● | | 2030.0254 |
| 2.5 | 125 | 125 | 120 | 300 | 0.6 | > 14.0 | ● | 57 | ● | 300.0 | | ● | | 2030.0255 |
| 3.15 | 125 | 125 | 120 | 400 | 1.11 | > 14.0 | ● | 65 | ● | 300.0 | | ● | | 2030.0256 |
| 0.25 | 125 | 125 | 620 | 100 | 0.0055 | < 1.5 | ● | 4.5 | ● | 300.0 | | | ● | 2030.0543 |
| 0.315 | 125 | 125 | 680 | 200 | 0.025 | < 1.5 | ● | 5.6 | ● | 300.0 | | | ● | 2030.0544 |
| 0.4 | 125 | 125 | 180 | 100 | 0.013 | 1.6 | ● | 5.9 | ● | 300.0 | | | ● | 2030.0545 |
| 0.5 | 125 | 125 | 180 | 100 | 0.02 | 2.4 | ● | 6.4 | ● | 300.0 | | | ● | 2030.0546 |
| 0.63 | 125 | 125 | 180 | 100 | 0.045 | 2.7 | ● | 7.2 | ● | 300.0 | | | ● | 2030.0547 |
| 0.71 | 125 | 125 | 140 | 100 | 0.045 | 2.9 | ● | 7.8 | ● | 300.0 | | | ● | 2030.0548 |
| 0.75 | 125 | 125 | 170 | 100 | 0.02 | 3.0 | ● | 8.5 | ● | 300.0 | | | ● | 2030.0549 |
| 0.8 | 125 | 125 | 150 | 100 | 0.04 | 5.0 | ● | 11 | ● | 300.0 | | | ● | 2030.0550 |
| 1 | 125 | 125 | 150 | 100 | 0.07 | 6.0 | ● | 16 | ● | 300.0 | | | ● | 2030.0551 |
| 1.25 | 125 | 125 | 150 | 200 | 0.12 | 9.3 | ● | 21 | ● | 300.0 | | | ● | 2030.0552 |
| 1.6 | 125 | 125 | 150 | 200 | 0.29 | > 14.0 | ● | 35 | ● | 300.0 | | | ● | 2030.0553 |
| 2 | 125 | 125 | 130 | 200 | 0.43 | > 14.0 | ● | 38 | ● | 300.0 | | | ● | 2030.0554 |
| 2.5 | 125 | 125 | 120 | 300 | 0.6 | > 14.0 | ● | 57 | ● | 300.0 | | | ● | 2030.0555 |
| 3.15 | 125 | 125 | 120 | 400 | 1.11 | > 14.0 | ● | 65 | ● | - | | | ● | 2030.0556 |

1) 50 A @ 125 VAC

Packaging Unit

S + L = Plastic Bag (100 pcs.)
T = Taped 36 cm Reel (1000 pcs.)

Time-Current Curves

